

electriciQ

USER MANUAL



DCDF15LED

DESK FAN WITH REMOTE CONTROL AND LED DISPLAY

Thank you for choosing electriciQ
Please read this user manual before using this fan and keep it safe for future reference.
Visit our page www.electriQ.co.uk for our entire range of Intelligent electricals

SETTLING IN OK?

We hope this has been helpful to you.

We would love to see how you're getting on with your new purchase, so please share any snaps you have on the platform of your choice below.

Our community awaits your uploads - Snap, tag and hashtag away!



@electriQUK
#electriQUK

WE'RE HERE TO HELP

Should you have any problems or questions with your purchase, please contact a member of our customer service team.

☎ 0330 390 3061

✉ support@electriQ.co.uk

Mon-Fri | 9am to 5pm

Unit J6, Lowfields Business Park,
Lowfields Way, Elland
West Yorkshire, HX5 9DA

SAFETY INSTRUCTIONS

Important!

- Carefully read the instructions before operating the unit
- This appliance is for indoor use only.
- Rating: This unit must be only connected to a 220-240 V / 50~60 Hz earthed outlet.
- Installation must be in accordance with regulations of the country where the unit is used.
- If you are in any doubt about the suitability of your electrical supply have it checked and, if necessary, modified by a qualified electrician.
- This fan has been tested and is safe to use. However, as with any electrical appliance - use it with care.
- Disconnect the power plug from socket before dismantling, assembling or cleaning the unit.
- Avoid touching any moving parts of the appliance.
- Never insert fingers, pencils or any other objects through the guard
- This appliance is not intended for use by persons (including children) with reduced physical, sensory or mental capabilities. It is also not intended for use by those with a lack of experience and knowledge, unless they have been given supervision or instruction concerning the use of the appliance by a person responsible for their safety. Do not leave children unsupervised with this appliance.
- Do not clean the unit by spraying it or immersing it in water.
- Never connect the unit to an electrical outlet using an extension cord. If an outlet is not available, one should be installed by a qualified electrician.
- Never operate this appliance if the cord or plug is damaged. Ensure the power cord is not stretched or exposed to sharp object/edges.
- A damaged supply cord should be replaced by the manufacturer or a qualified electrician in order to avoid a hazard.
- Any service other than regular cleaning should be performed by an authorized service representative. Failure to comply could result in a voided warranty.
- Do not operate the fan unassembled without protective front and rear grilles in position.
- Do not use the appliance for any other purposes than its intended use.
- Never use the mains plug as a switch to start and turn off the fan. Use the provided ON/OFF switch located on the control panel.
- Always place the unit on a dry and stable surface. Do not move or tilt the unit
- High Velocity fans are designed to create rapid air movement, therefore make sure the fan is not placed near curtains or any objects that may be drawn into the fan inlet.
- The appliance should not be installed in laundry or wet rooms
- Do not use this unit in environments with flammable and explosive gases.
- Avoid keeping the unit in direct sunlight for a long period of time

Energy Saving and Unit Safety Protection Tips

- Do not cover or restrict the airflow. Do not use in dusty environment.
- For maximum performance the minimum distance from a wall or objects should be 50cm.

Warning: To reduce the risk of fire or electrical shock, DO NOT USE THIS FAN with any SOLID-STATE Speed Control Device or any variable speed controllers.

FEATURES

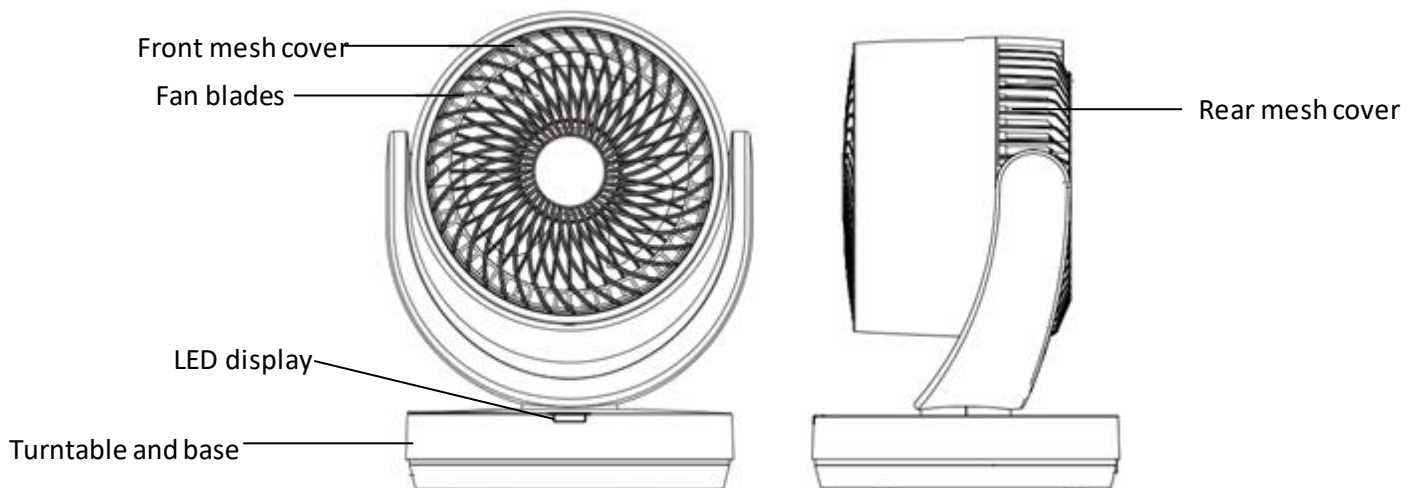
- Compact design takes minimal space
- High Speed Motor with 8 Fan Speed Settings
- Swing Function
- 8-hour timer
- Remote Control
- 90° tilt function

INSTALLATION

This unit can easily be moved from one room to another. While moving the unit please note that it must always be kept upright and then placed on an even surface.

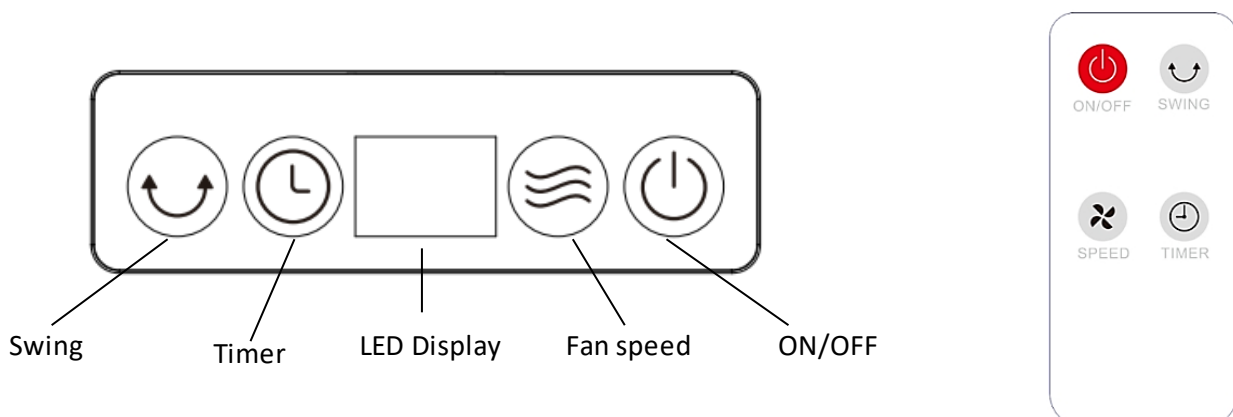
- Remove any packaging - keeping the fan in a vertical position.
- Make sure all parts are present and unit is assembled correctly
- Connect the power plug to a working socket, and then press the power button.

PRODUCT OVERVIEW





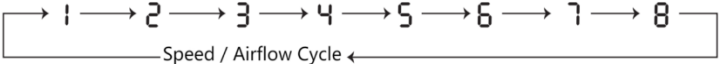

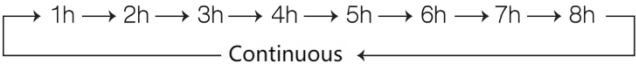

CONTROL PANEL AND REMOTE CONTROL

The symbols and their function correspond to the symbols and functions of the remote control.



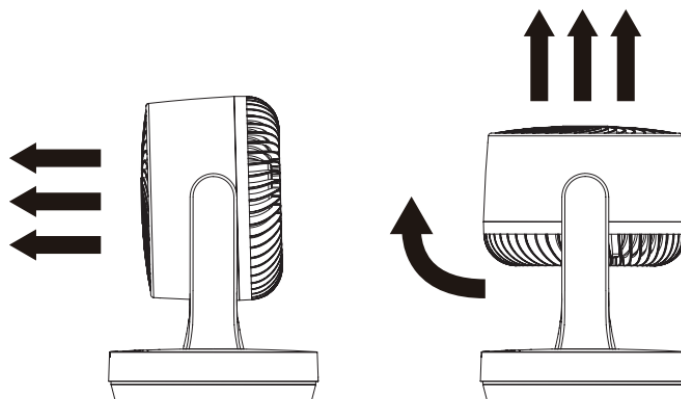
OPERATION

1. Set your fan on a level dry surface.
2. Plug the power cord into a standard 220~240 V wall outlet.

<p>ON/OFF</p>		<p>Press the ON/OFF button on the display control panel or the remote control. Your fan will now turn on in the lowest fan speed.</p> <p>Press ON/OFF again to turn the fan OFF.</p> <p>Screen off: When the fan is powered on, the screen will automatically turn off if there is no operation for 30 seconds. Press any button to wake up the screen.</p>
<p>FAN SPEED</p>		<p>Press the FAN SPEED button on the control panel or the remote control to select your desired fan speed level. The display will show the speed selected.</p> 
<p>TIMER</p>		<p>Press the TIMER button on the control panel or the remote control to select the time to turn off. The display will show the time selected.</p> 
<p>SWING</p>		<p>Press the SWING button on the control panel or the remote control to activate the fans oscillation feature, for a wider distribution of air. Press the SWING button again to stop oscillation function.</p>

TILT ADJUSTMENT

- Gently tilt the fan head up or down to the desired angle.
- Only adjust tilt when the fan is turned off. Adjusting tilt when the fan is operating may damage the tilt mechanism or cause injury.



MAINTENANCE

CLEANING AND STORAGE

ATTENTION: Please shut off the unit and unplug from the mains before cleaning or performing any maintenance.

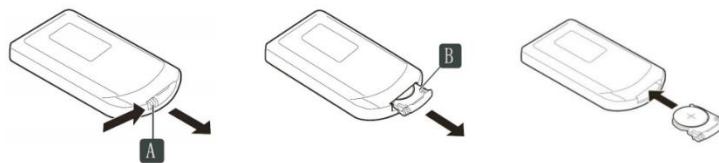
CLEANING THE SURFACE

- Clean the grills with a duster or a soft wet cloth. Do not use chemical solvents (such as benzene, alcohol or gasoline) as they may cause irreversible damage. Make sure no water enters the control panel or fan motor
- Do not run the unit until completely dry.
- Place the fan in its original box or cover the fan to protect it from dust.
- Store it in a cool dry place.

REPLACING THE BATTERIES

The remote control is powered by a Lithium Button Cell Battery (CR2025/2032). Should the remote become unresponsive, replace the battery following the instructions below;

1. Turn over the remote and press tab A to the right.
2. Slide out the battery tray B.
3. Replace the battery with the same type, ensuring the positive side is facing upwards.






TROUBLESHOOTING

Do not repair or disassemble the unit by yourself, unauthorized repair attempts will invalidate the warranty and may cause bodily harm.

Issue	Possible Reason	Solution
No power	<ol style="list-style-type: none"> 1. Power cord is unconnected 2. There is no power from socket 3. The power switch is not on. 4. The fuse has blown 	<ol style="list-style-type: none"> 1. Connect the power cord 2. Check socket is turned on 3. Turn the unit on 4. Replace the fuse in the plug
Odour emission from unit	<ol style="list-style-type: none"> 1. New unit. When the unit is used for the first time the fan motor may produce an odour which will dissipate within a week of use 	<ol style="list-style-type: none"> 1. No action required
Strong vibrations and noise	<ol style="list-style-type: none"> 1. Fan is not used on a flat surface 2. Fan may be damaged 	<ol style="list-style-type: none"> 1. Place on a flat surface. May put an anti-vibration mat underneath 2. if fan is damaged discontinue use and contact service centre

If the above solutions do not resolve the problem please contact the service centre.

BATTERY WARNINGS

 	<p style="text-align: center;">BATTERY WARNING</p> <p style="text-align: center;">KEEP OUT OF REACH OF CHILDREN</p> <p>Swallowing can lead to chemical burns, perforation of soft tissue, and death. Severe burns can occur within 2 hours of ingestion. Seek medical attention immediately.</p>	
<ul style="list-style-type: none">• If the battery compartment (if applicable) does not close securely, stop using the product and keep it away from children.• If you think batteries might have been swallowed, or placed inside any part of the body, seek immediate medical attention		
<p style="text-align: center;">THERE MAY BE NO OBVIOUS SYMPTOMS OF BATTERY INGESTION</p>		
<p>Unfortunately, it is not obvious when a button or coin battery is stuck in a child's oesophagus (food pipe). There are no specific symptoms associated with this. The child might:</p> <ul style="list-style-type: none">• cough, gag or drool a lot;• appear to have a stomach upset or a virus;• be sick;• point to their throat or stomach;• have a pain in their abdomen, chest or throat;• be tired or lethargic;• be quieter or more clingy than usual or otherwise "not themselves";• lose their appetite or have a reduced appetite; and• not want to eat solid food / be unable to eat solid food. <p>These sorts of symptoms vary or fluctuate, with the pain increasing and then subsiding.</p> <p>A specific symptom to button and coin battery ingestion is vomiting fresh (bright red) blood. If the child does this seek immediate medical help.</p> <p>The lack of clear symptoms is why it is important to be vigilant with "flat" or spare button or coin batteries in the home and the products that contain them.</p>		

TECHNICAL DATA

Model	DCDF15LED
Fan Speeds	8
Blade size	6 inch
Cable length	1.5m
Rated Input	15 Watt
Running Current	1.5 amp
Air Flow	MAX 9.0 m/s
Noise	65db
Power Supply	220-240V/50~60Hz
Net Weight	
Gross Weight	
Net Size (assembled)	
Gross Size (packed)	

electriQ UK SUPPORT

www.electriQ.co.uk/support

Please, for your own convenience, make these simple checks before calling the service line.

If the unit still fails to operate call: 03303903061 or complete the online form

1. Is the unit plugged into the mains?
2. Is the fuse OK?
3. Switch the unit off and wait three minutes to see if the issue is resolved. Restart the unit.

Office hours: 9AM - 5PM Monday to Friday

www.electriQ.co.uk

Unit J6, Lowfields Way

Elland, West Yorkshire

HX5 9DA

DISPOSAL



Recycling facilities are now available for all customers at which you can deposit your old electrical products. Customers will be able to take any old electrical equipment to participating civic amenity sites run by their local councils. Please remember that this equipment will be further handled during the recycling process, so please be considerate when depositing your equipment. Please contact the local council for details of your local household waste recycling center.